



Crane School District #13 Beginning Band

Introduction to Band Instruments

Mr. Slawinski

Mr. Skee

The Instrument Families

- Woodwind.

- Originally made of wood, played by blowing air over a wooden reed or over a tone hole.

- Brass.

- Made of brass, played by blowing air through the lips causing them to buzz in a cup shaped mouthpiece.
-

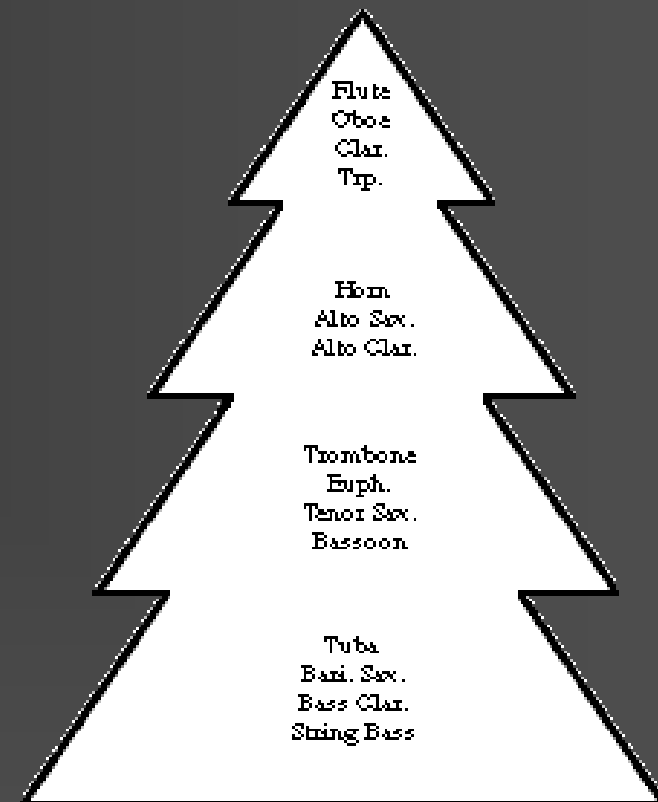
The Instrument Families

- Percussion.

- Made of all sorts of materials, played by hitting, striking, or shaking.
-

Instrumentation in a band

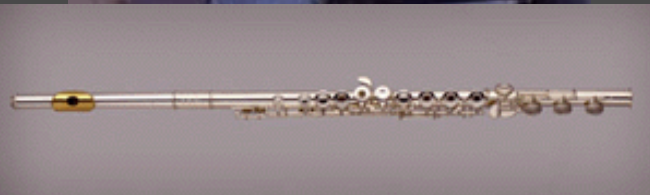
- It is important to have a variety of instruments in band.
- The Pyramid of Sound
 - The lower the pitch of the instrument the more players of that instrument are needed.



Woodwinds – Flute



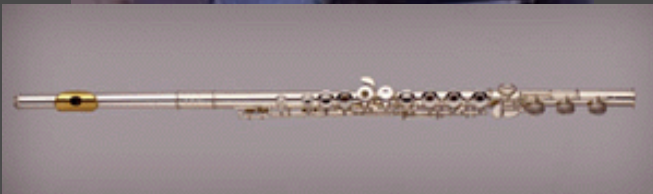
- Made of metal.
- Sound produced by blowing air over a tone hole (like a soda pop bottle.).
- Held horizontally to the right.



Woodwinds – Flute



- Small case size.
- Cheapest to maintain
- May take a while to produce a sound
- Fingerings are more difficult



Woodwinds – Clarinet



- Made of plastic or wood with metal keys.
- Sound produced by blowing air over a wooden reed.
- Held vertically in front between the legs.

Woodwinds – Clarinet



- Medium case size.
- Reeds cost around 2 dollars each and are fragile

Woodwinds – Alto Saxophone



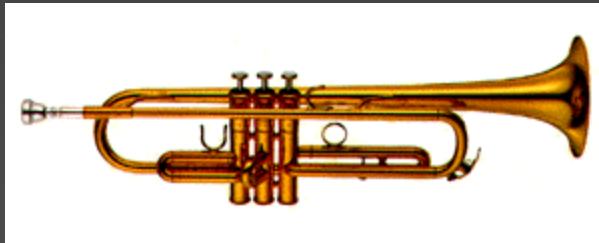
- Made of metal.
 - Sound produced by blowing air over a wooden reed.
 - Held with the aid of a neck strap.
-

Woodwinds – Alto Saxophone



- Large case size.
 - Requires reeds that cost a little over 2 dollars each
-

Brass – Trumpet

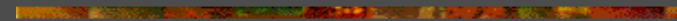
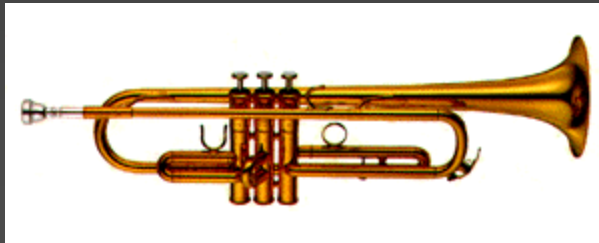


- Made of metal and uses valves to change the pitch.
 - Played by buzzing lips into a cup shaped mouthpiece.
-

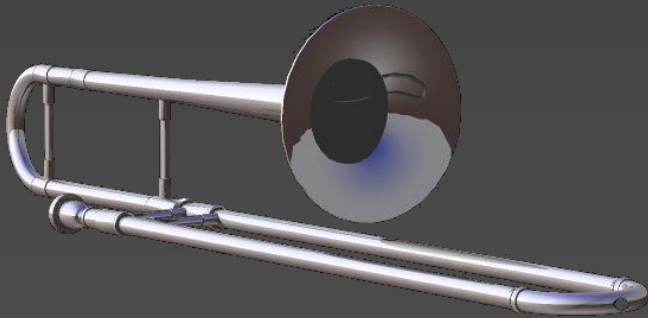
Brass – Trumpet



- Large case size.
- Need valve oil



Brass – Trombone

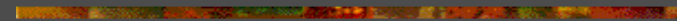
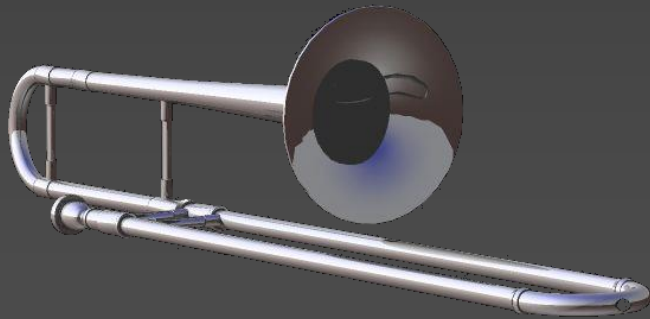


- Made of metal and uses a slide to change the pitch.
 - Played by buzzing lips into a cup shaped mouthpiece.
-

Brass – Trombone



- Large case size
- Need slide oil



Brass – Euphonium / Baritone



- Made of metal and uses valves to change the pitch.
- Played by buzzing the lips into a cup shaped mouthpiece.

Brass – Euphonium



- Large case size.
- Requires valve oil

Percussion



- Students may rent a bell kit.
- Students will learn bells in conjunction with snare drum.

Percussion



- Students will also learn snare drum.
-

Instruments are NOT in School Band

- Piano
 - Guitar
 - Accordion
 - Banjo
 - Violin
 - Viola
 - Cello
-

Which instrument should you NOT play?

- Don't pick an instrument because you mom or dad like it!
 - Don't pick an instrument because one of your friends plays it!
 - Don't pick an instrument that you think is a boys or girls instrument (there's no such thing!)
-